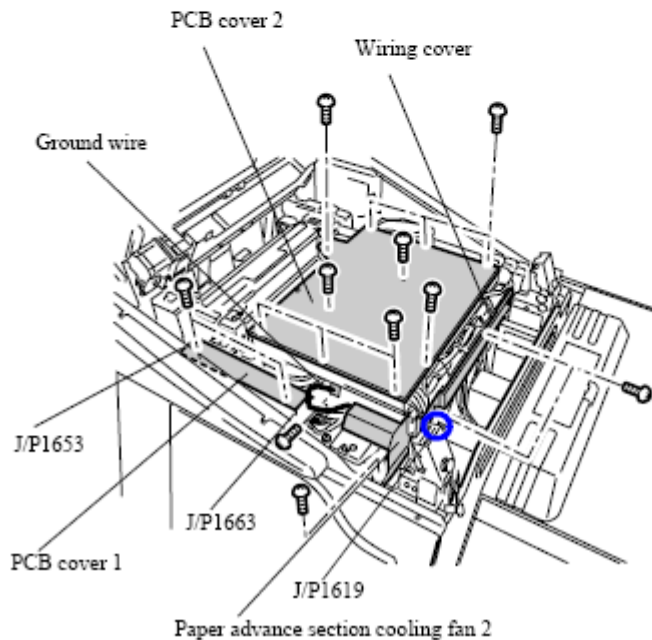


## ● Procedure

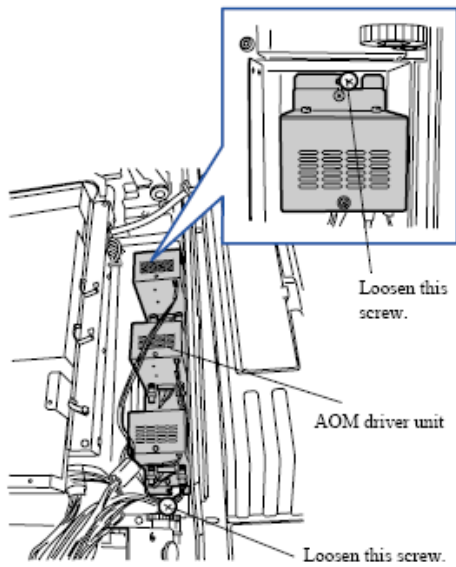
1. Open the printer top cover.
2. Remove paper advance unit 2.
3. Remove the processor loading unit.
4. Remove the wiring cover. (Loosen two screws.)
5. Remove PCB cover 1. (Loosen two screws.)
6. Remove PCB cover 2. (11 screws)
7. Remove paper advance section cooling fan 2. (one screw)
8. Disconnect the ground wire. (one screw)



9. Disconnect the connector(s).  
J/P1619 (paper advance section cooling fan 2)

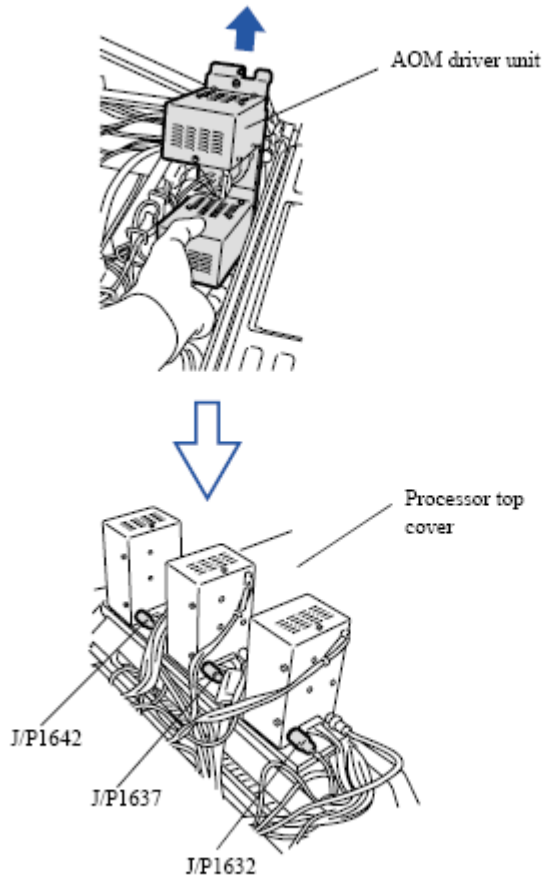
J/P1653 (B laser driver)  
J/P1663 (G laser driver)

10. Remove the AOM driver unit. (Loosen two screws.)



**IMPORTANT** .....

- Raise the AOM driver and remove it, then place on the processor top cover.
- Operate with extreme care for wiring to the laser unit, laser control PCB and laser I/O PCB.



11. Disconnect the connector(s).  
J/P1632 (B-AOM driver)

J/P1637 (G-AOM driver)

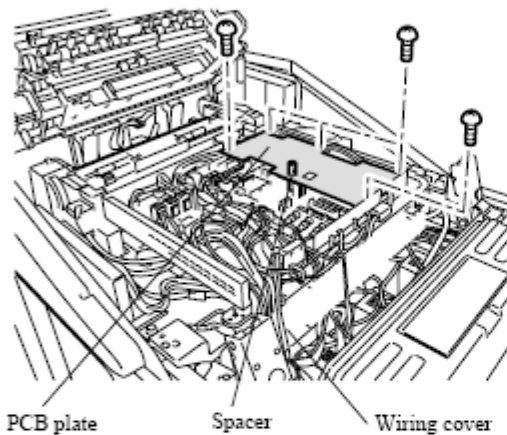
J/P1642 (R-AOM driver)

12. Attach the AOM driver unit to the printer with the connector(s) disconnected.

13. Remove the PCB plate. (five screws and one spacer)

**NOTE**

- The reason why the PCB plate is removed is to remove the optical fiber cable safely.



14. Disconnect the connector(s). (one screw)

J/P1532 (Laser I/O PCB)

J/P1539 (Laser I/O PCB)

J/P1540 (Laser I/O PCB)

J/P1513 (Laser control PCB)

J/P1515 (Laser control PCB)

J/P1516 (Laser control PCB)

J/P1517 (Laser control PCB)

J/P1526 (Relay connector)

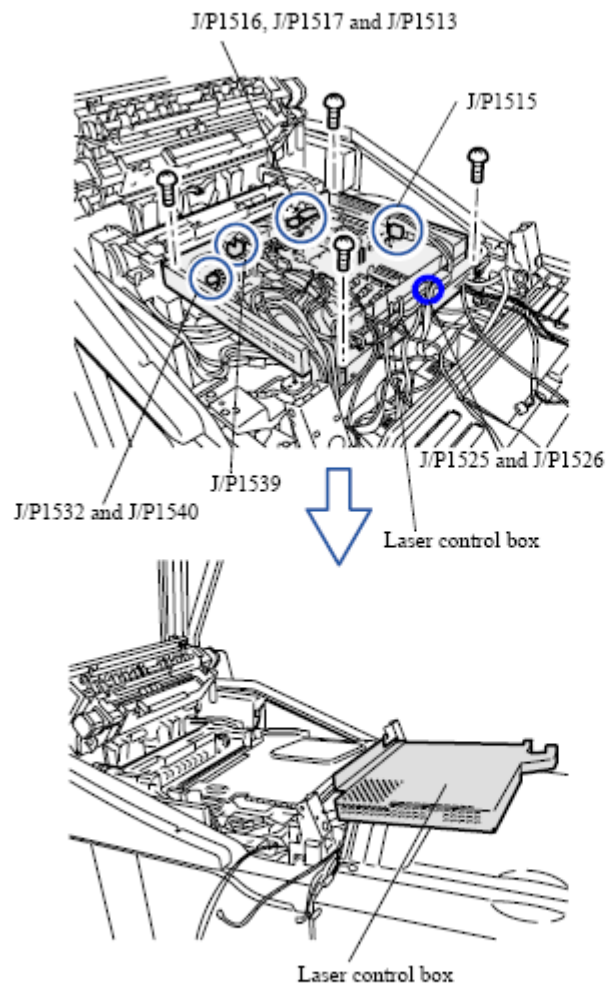
J/P1525 (Relay Connector)



**IMPORTANT**

- The positions of the relay connector(s) may be changed.
- Remove the cable clamp(s) if it is attached to the connector(s).

15. Remove the laser control box. (four screws)



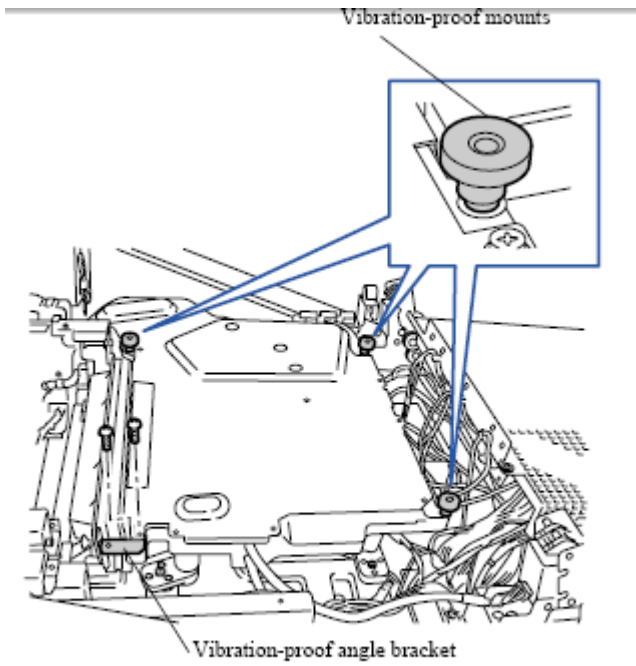
 **IMPORTANT** .....

- Remove the laser control box. Turn it over and place on the processor top cover.
- Take extreme care of wiring of the laser control PCB and laser I/O PCB.

16. Remove three vibration-proof mounts and a vibration-proof angle bracket. (two screws)

 **IMPORTANT** .....

- This step is required only when you replace the laser unit with new one.



17. Remove the laser unit. (four screws)

